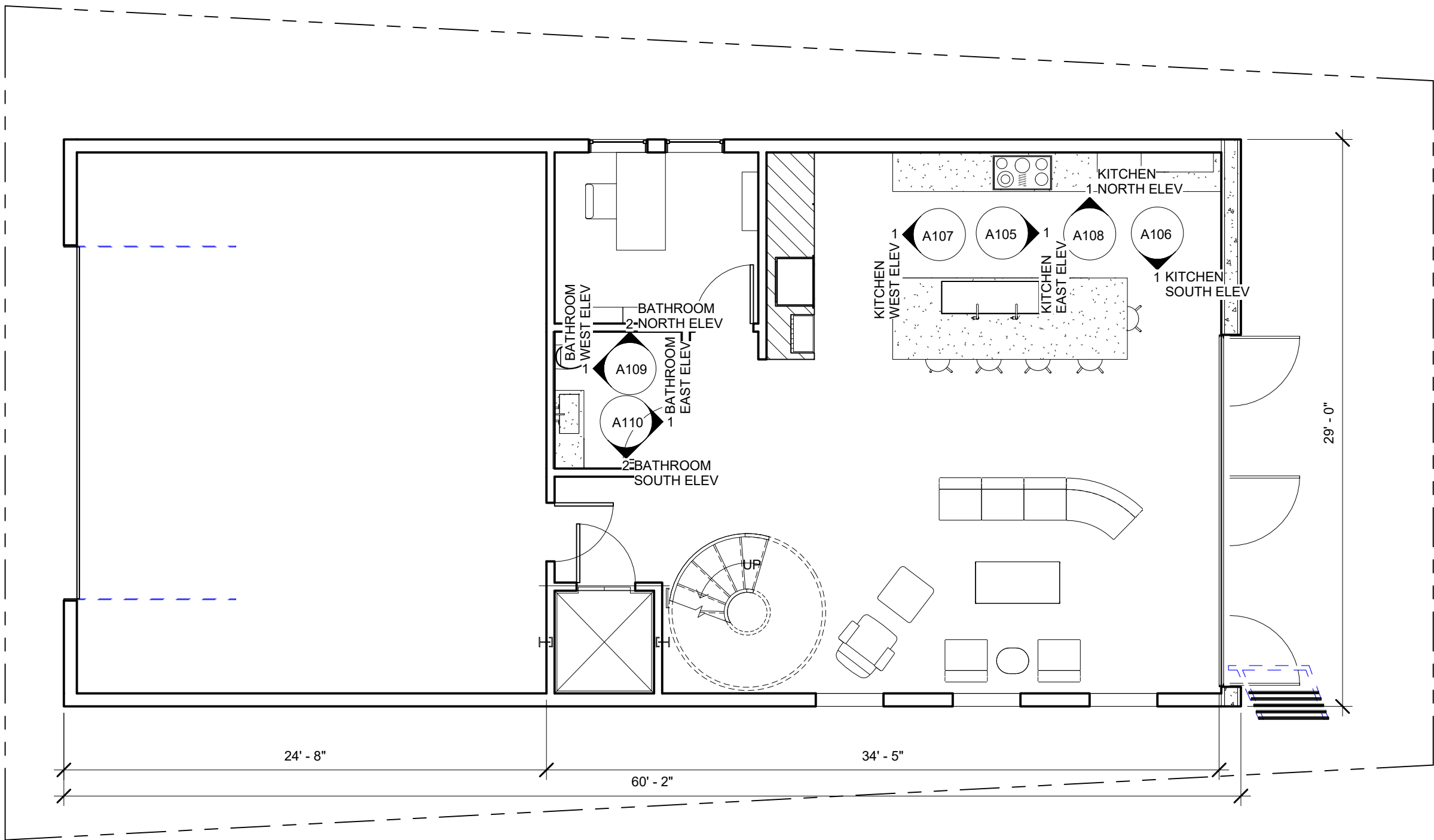


# THE GALLEY

CLIENT: SMITHS  
DESIGNER: JANA SCHAEFER



INDUSTRIAL NAUTICAL

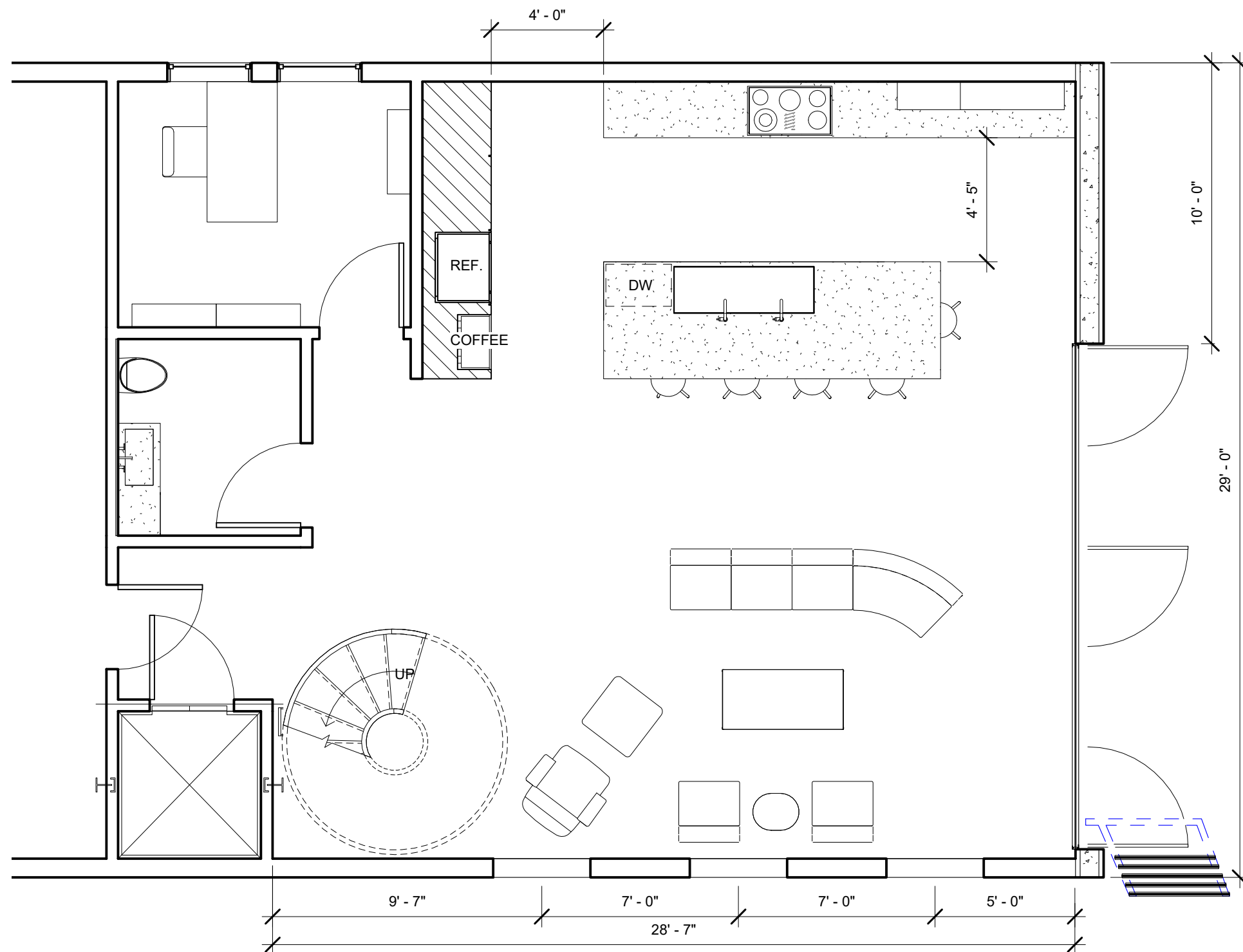


① LEVEL ONE - FULL PLAN  
3/16" = 1'-0"

SHEET NAME:	LEVEL ONE
PROJECT NAME:	SMITHS - THE GALLEY

Project number:	IDI 2000-01
Drawn by:	JANALEE SCHAEFER
Date:	07/20/2016
Scale:	3/16" = 1'-0"
Instructor:	LINDA LEACH

A101



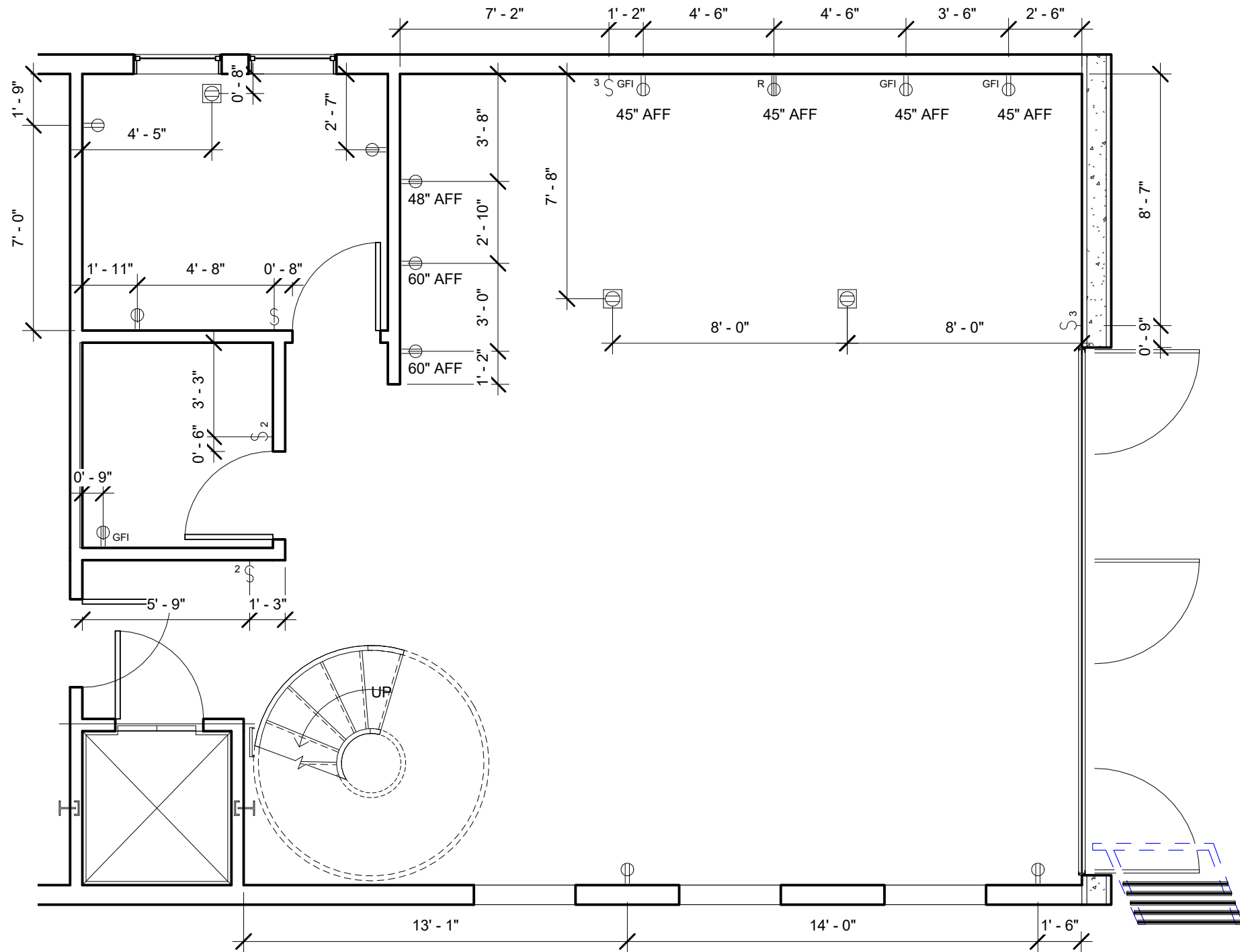
① LEVEL ONE - LIVING AREA  
1/4" = 1'-0"





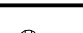
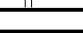

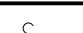

SHEET NAME:	LEVEL ONE LIVING AREA
PROJECT NAME:	SMITHS - THE GALLEY

Project number:	IDI 2000-01
Drawn by:	JANALEE SCHAEFER
Date:	07/20/2016
Scale:	1/4" = 1'-0"
Instructor:	LINDA LEACH

**A102**



**ELECTRICAL LEGEND**

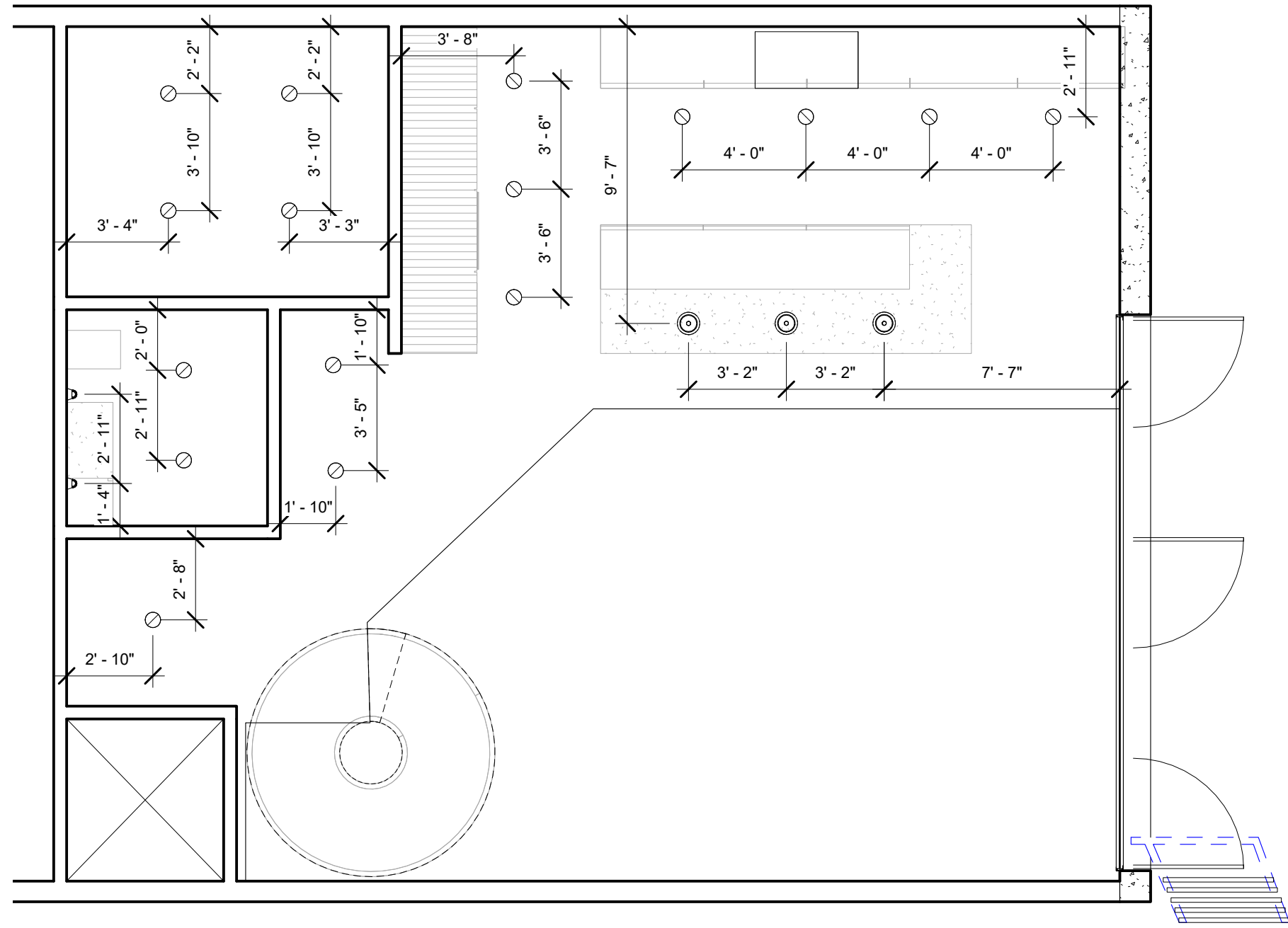
-  OUTLET FLOOR-DUPLEX
-  OUTLET-DUPLEX
-  OUTLET-GFI
-  OUTLET-RANGE
-  SWITCH-DOUBLE
-  SWITCH-SINGLE
-  SWITCH-THREE WAY

① LEVEL ONE - ELECTRICAL PLAN  
1/4" = 1'-0"




SHEET NAME:	ELECTRICAL PLAN
PROJECT NAME:	SMITHS - THE GALLEY

Project number:	IDI 2000-01
Drawn by:	JANALEE SCHAEFER
Date:	07/20/2016
Scale:	1/4" = 1'-0"
Instructor:	LINDA LEACH

**A103**



**RCP LEGEND**

-  DOWNLIGHT
-  WALL SCONCE
-  PENDANT LIGHT

① **LEVEL ONE - REFLECTED CEILING PLAN**  
1/4" = 1'-0"

SHEET NAME:  
**REFLECTED CEILING PLAN**

PROJECT NAME:  
**SMITHS - THE GALLEY**

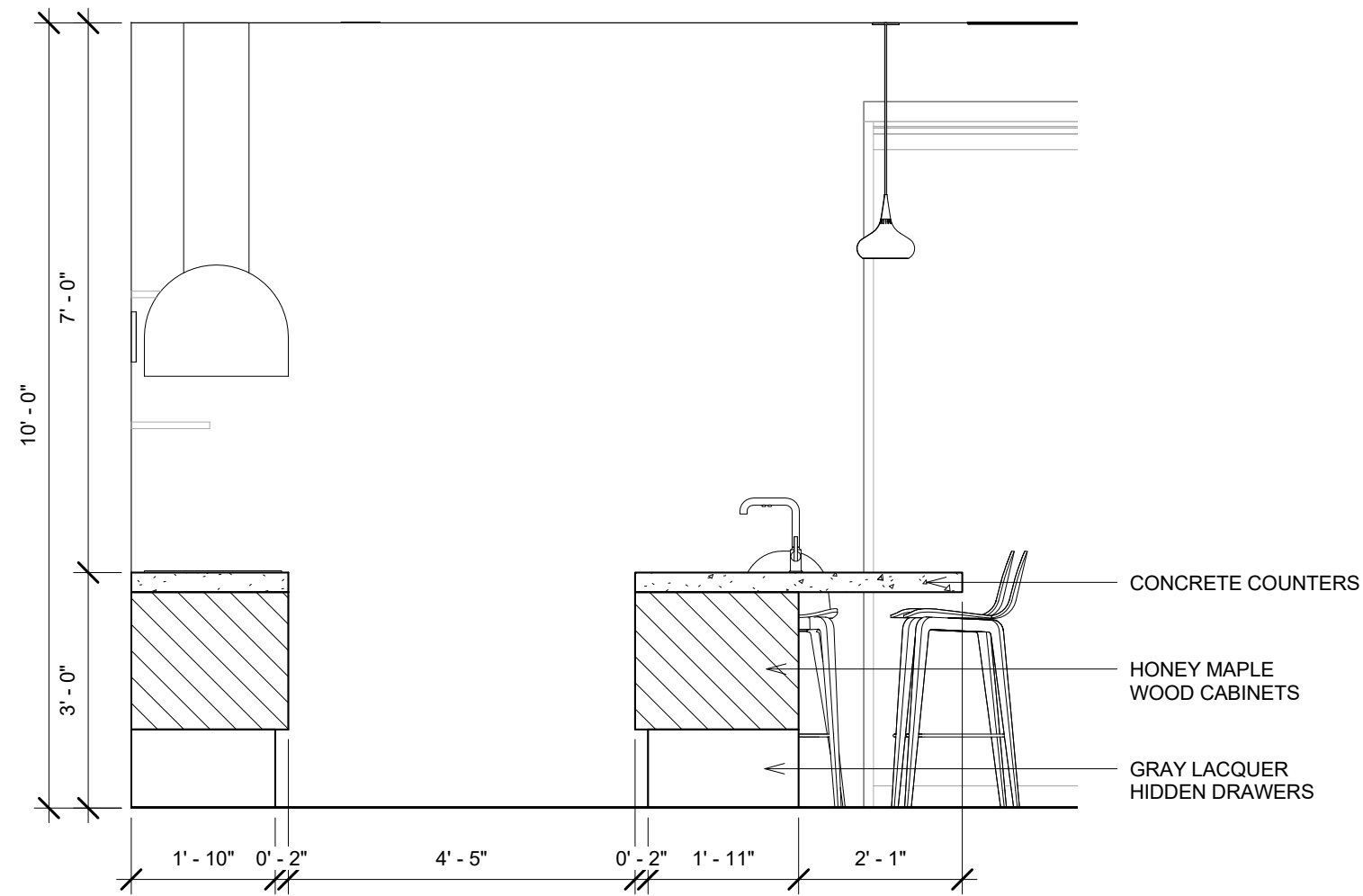
Project number:  
**IDI 2000-01**

Drawn by:  
**JANALEE SCHAEFER**

Date:  
**07/20/2016**

Scale:  
**1/4" = 1'-0"**

Instructor:  
**LINDA LEACH**



① KITCHEN EAST ELEVATION  
1/2" = 1'-0"

SHEET NAME:

KITCHEN EAST ELEVATION

PROJECT NAME:

SMITHS - THE GALLEY

Project number:

IDI 2000-01

Drawn by:

JANALEE SCHAEFER

Date:

07/20/2016

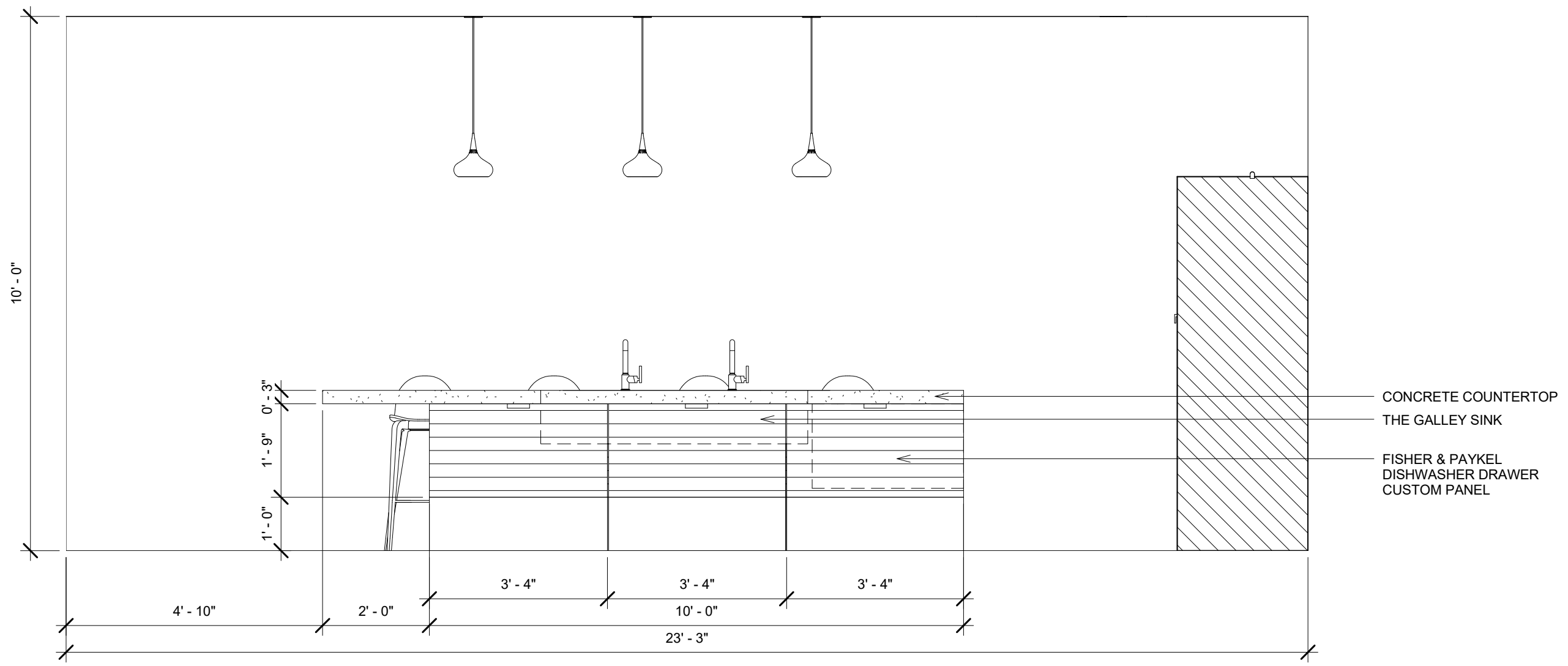
Scale:

1/2" = 1'-0"

Instructor:

LINDA LEACH

A105



CONCRETE COUNTERTOP  
 THE GALLEY SINK  
 FISHER & PAYKEL  
 DISHWASHER DRAWER  
 CUSTOM PANEL

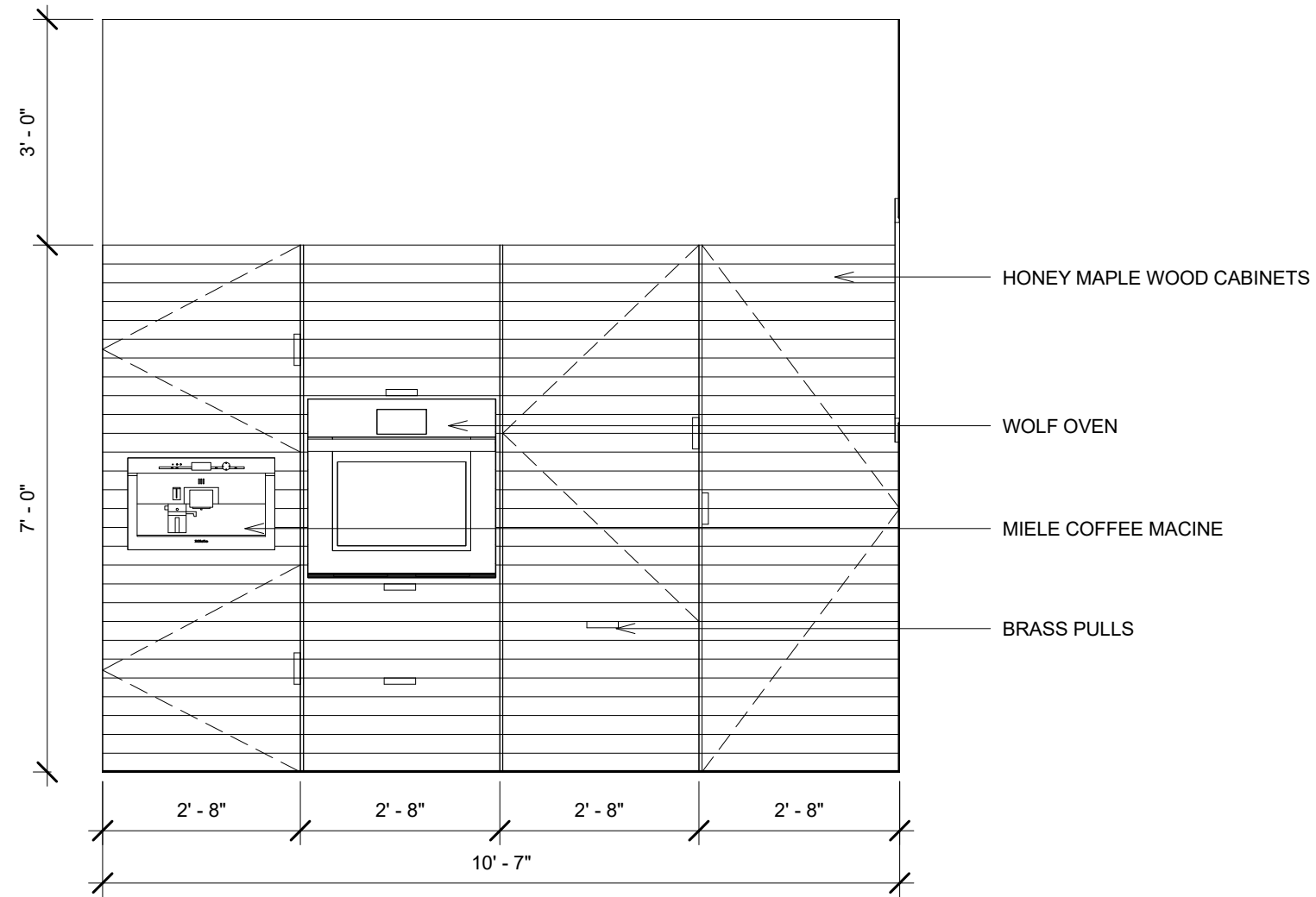
SHEET NAME: KITCHEN SOUTH ELEVATION  
 PROJECT NAME: SMITHS - THE GALLEY

Project number:  
 IDI 2000-01  
 Drawn by:  
 JANALEE SCHAEFER  
 Date:  
 07/20/2016  
 Scale:  
 1/2" = 1'-0"  
 Instructor:  
 LINDA LEACH

A106

1 KITCHEN SOUTH ELEVATION  
 1/2" = 1'-0"



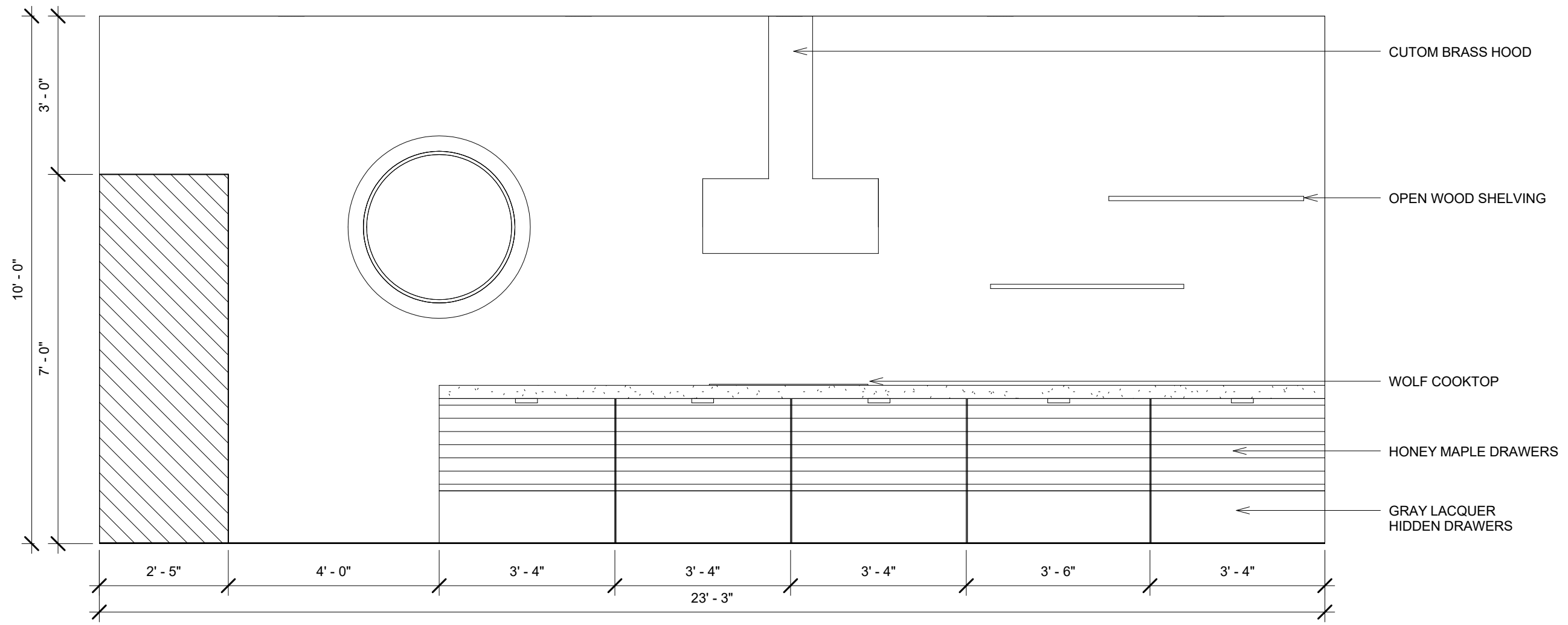


1 KITCHEN WEST ELEVATION  
1/2" = 1'-0"

SHEET NAME:	KITCHEN WEST ELEVATION
PROJECT NAME:	SMITHS - THE GALLEY

Project number:	IDI 2000-01
Drawn by:	JANALEE SCHAEFER
Date:	07/20/2016
Scale:	1/2" = 1'-0"
Instructor:	LINDA LEACH

A107

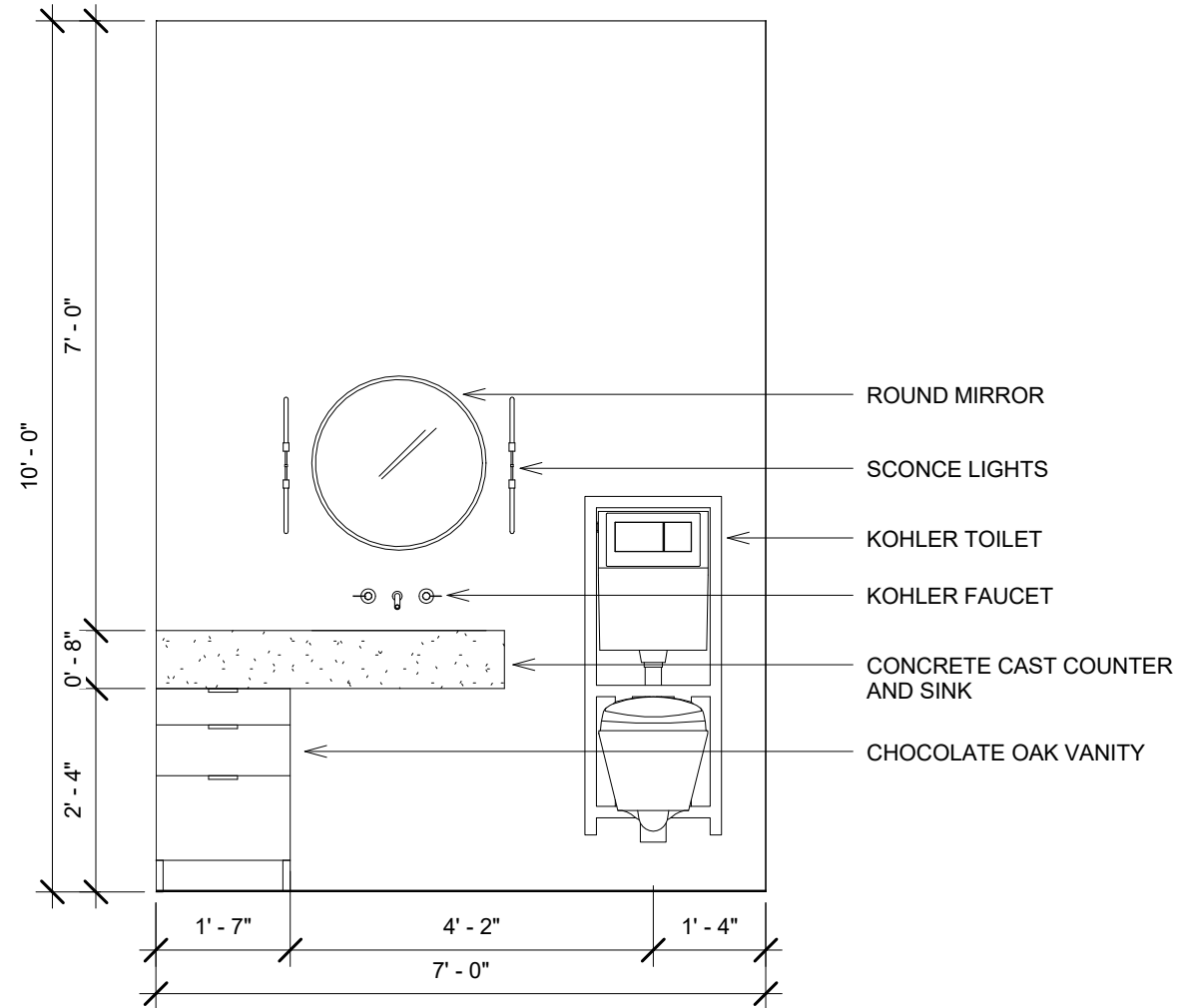


① KITCHEN NORTH ELEVATION  
1/2" = 1'-0"

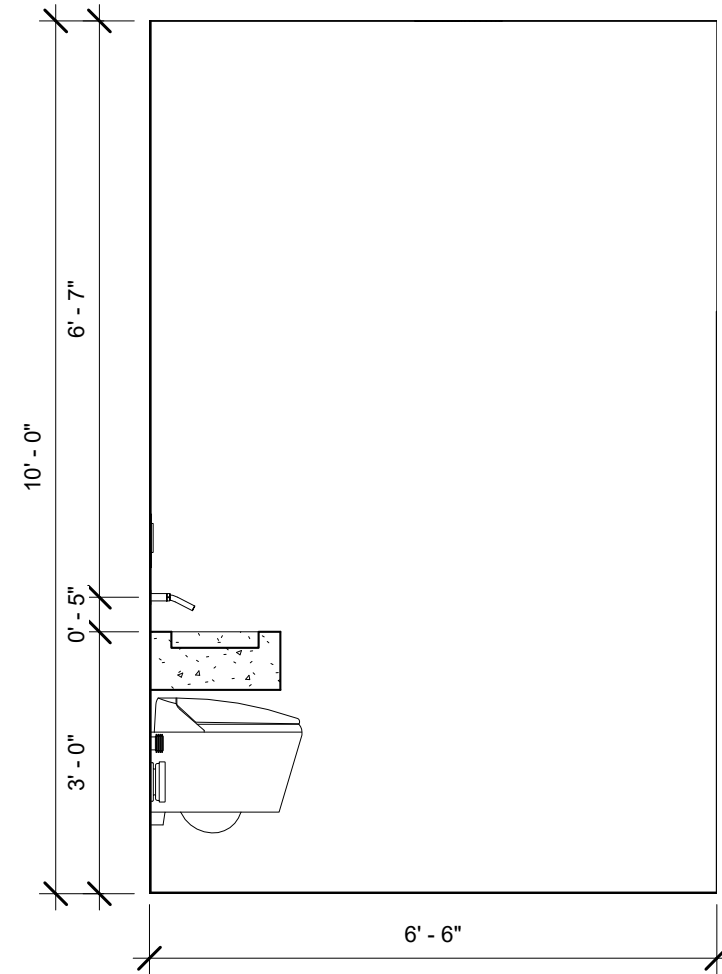
SHEET NAME:	KITCHEN NORTH ELEVATION
PROJECT NAME:	SMITHS - THE GALLEY

Project number:	IDI 2000-01
Drawn by:	JANALEE SCHAEFER
Date:	07/20/2016
Scale:	1/2" = 1'-0"
Instructor:	LINDA LEACH

A108



① BATHROOM WEST ELEVATION  
1/2" = 1'-0"



② BATHROOM NORTH ELEVATION  
1/2" = 1'-0"

SHEET NAME:  
**BATHROOM ELEVATIONS**

PROJECT NAME:  
**SMITHS - THE GALLEY**

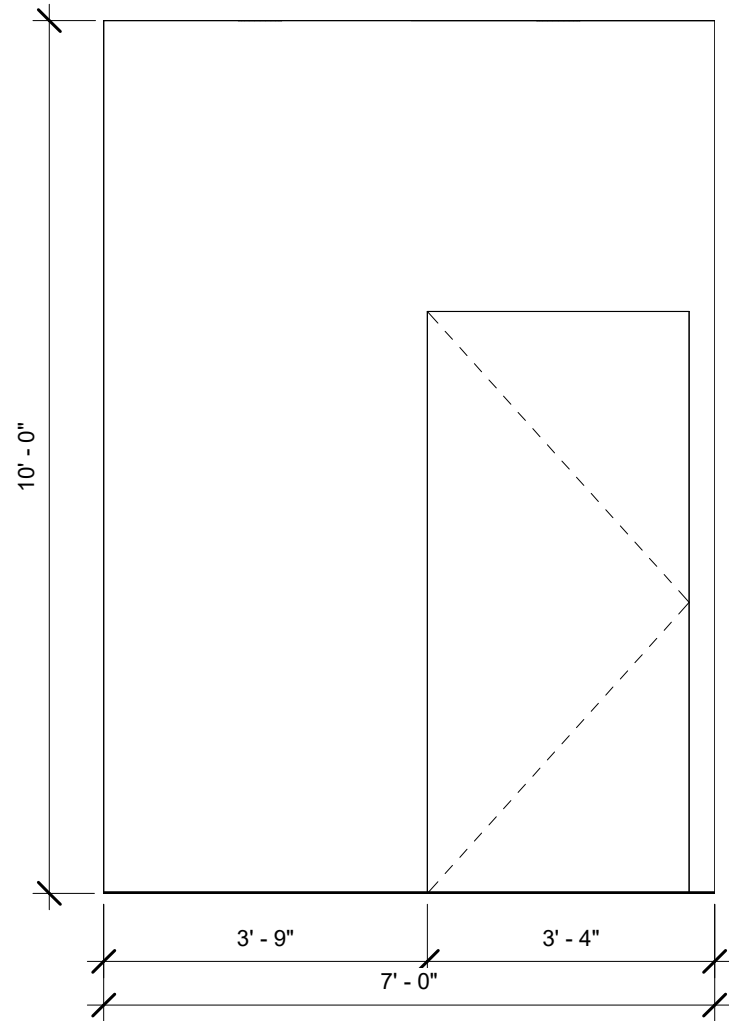
Project number:  
**IDI 2000-01**

Drawn by:  
**JANALEE SCHAEFER**

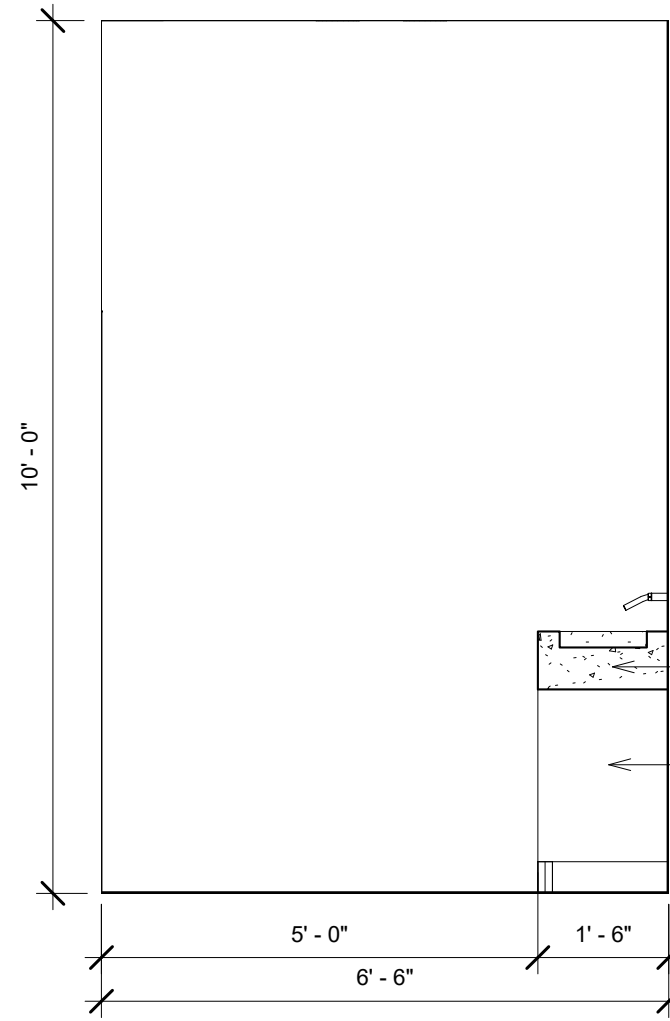
Date:  
**07/20/2016**

Scale:  
**1/2" = 1'-0"**

Instructor:  
**LINDA LEACH**



① BATHROOM EAST ELEVATION  
1/2" = 1'-0"



② BATHROOM SOUTH ELEVATION  
1/2" = 1'-0"

KOHLER FAUCET  
CONCRETE CAST COUNTER  
AND SINK  
CHOCOLATE OAK VANITY

SHEET NAME:	BATHROOM ELEVATIONS CONT
PROJECT NAME:	SMITHS - THE GALLEY

Project number:	IDI 2000-01
Drawn by:	JANALEE SCHAEFER
Date:	07/20/2016
Scale:	1/2" = 1'-0"
Instructor:	LINDA LEACH

**A110**